

I-T Characteristics / 時間-電流特性

Ampere Rating 額定電流	% of Ampere Rating 額定電流%	Opening Time 熔斷時間
1A~15A	130%	4 Hrs Min. / 最短4小時
	160%	1 Hr Max. / 最長1小時
	200%	120s Max. / 最長120秒

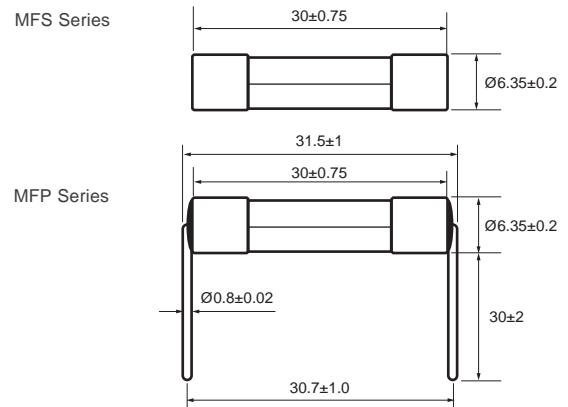
In accordance with METI Ordinance / 遵循METI



Product Features / 產品特性

Materials 材質	Body / 本體 : Glass tube / 玻璃管 Lead / 引線 : Tinned copper wire / 鍍錫銅線 Cap / 銅帽 : Brass with nickel plated / 銅鍍鎳 Element / 熔絲 : Alloy / 合金線
Operating Temperature 操作溫度	-55°C to +125°C (Consider de-rating / 需考慮溫度折減)
Solderability 可焊性	260°C, ≤ 3s. (Wave / 波峰焊) 350±10°C, ≤ 3s. (Soldering iron / 烙鐵焊)
Resistance to Soldering Heat 耐焊接熱	260°C, 10s. (Wave / 波峰焊) 350°C, 5s. (Soldering iron / 烙鐵焊)
Recommended Soldering Parameters 建議錫參數	Wave soldering parameter / 波峰焊 Soldering pot temperature / 錫爐溫度 : 260°C Max Solder dwell time / 焊接時間 : 2~5s
	Hand welding parameter / 手工焊 Soldering iron temperature / 烙鐵溫度 : 350±5°C Solder dwell time / 焊接時間 : 5s Max.
Storage Conditions 儲存條件	Can be stored for 3 years under tight seal condition at temperature of +10°C~60°C, relative humidity ≤ 75%. 在溫度+10°C~60°C, 相對濕度 ≤ 75% 的密閉條件下可存放 3 年。 At most can be kept 30 days at temperature +10°C~60°C, relative humidity ≤ 95% under covered conditions. 在溫度+10°C~60°C, 相對濕度為 95% 的非露天最多可存放 30 天。

Dimensions / 尺寸圖 (Unit / 單位:mm)



Electrical Characteristics / 電氣特性

Type 型號	Rated Current 額定電流	Rated Voltage 額定電壓	Breaking Capacity 分斷能力	Safety Approvals 安全認證
MFS/MFP	1.00A	125V/250V	(MFS Series) 1A~15A 100A@125V/250V AC	
MFS/MFP	1.25A	125V/250V		
MFS/MFP	1.50A	125V/250V		
MFS/MFP	1.60A	125V/250V		
MFS/MFP	2.00A	125V/250V		
MFS/MFP	2.50A	125V/250V		
MFS/MFP	3.00A	125V/250V		
MFS/MFP	3.15A	125V/250V		
MFS/MFP	3.50A	125V/250V		
MFS/MFP	4.00A	125V/250V		
MFS/MFP	5.00A	125V/250V		
MFS/MFP	6.00A	125V/250V		
MFS/MFP	6.30A	125V/250V		
MFS/MFP	7.00A	125V/250V		
MFS/MFP	8.00A	125V/250V		
MFS/MFP	10.0A	125V/250V	(MFP Series) 1A~15A 100A@250V AC	
MFS/MFP	12.0A	125V/250V		
MFS/MFP	13.0A	125V/250V		
MFS/MFP	15.0A	125V/250V		
MFS/MFP	15.0A	125V/250V		
MFS/MFP	15.0A	125V/250V	1A~5A 500A@125V AC	
MFS/MFP	12.0A	125V/250V		
MFS/MFP	13.0A	125V/250V		
MFS/MFP	15.0A	125V/250V	6A~15A 100A@125V AC	
MFS/MFP	13.0A	125V/250V		
MFS/MFP	15.0A	125V/250V		